

Lancaster vPDU test stand

Paolo Franchini

p.franchini@lancaster.ac.uk



Cold test stand
integration call

2023

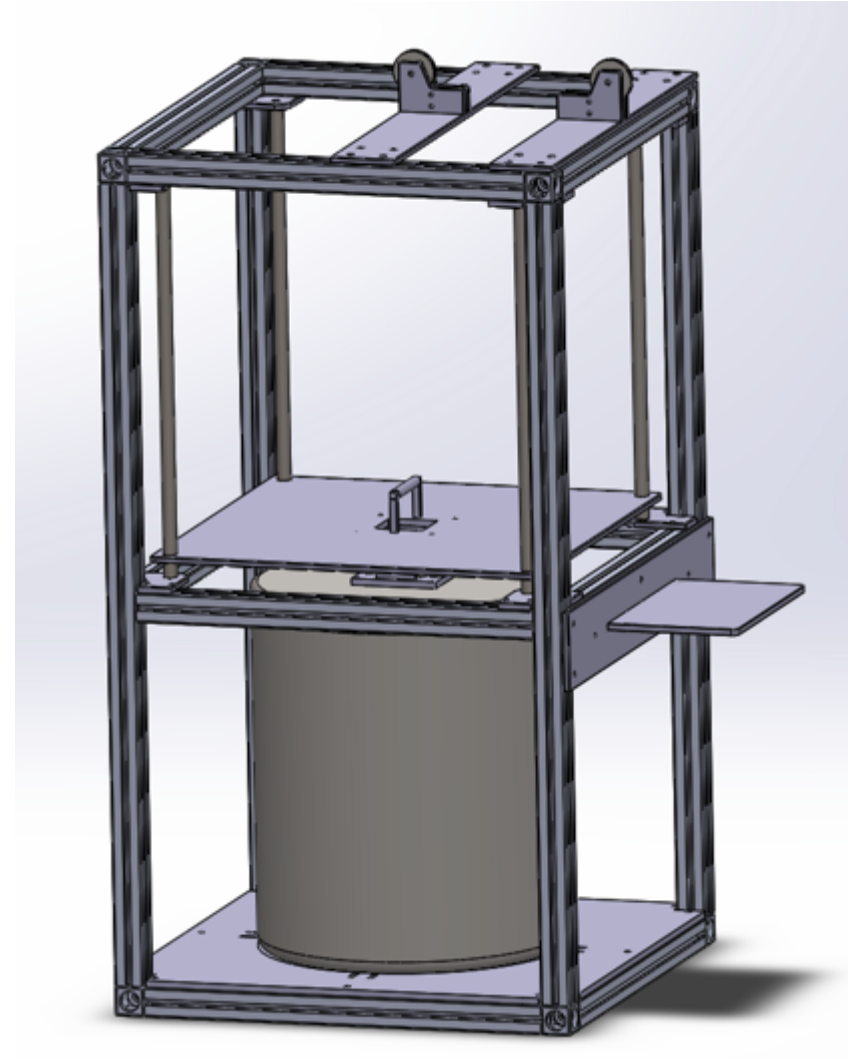
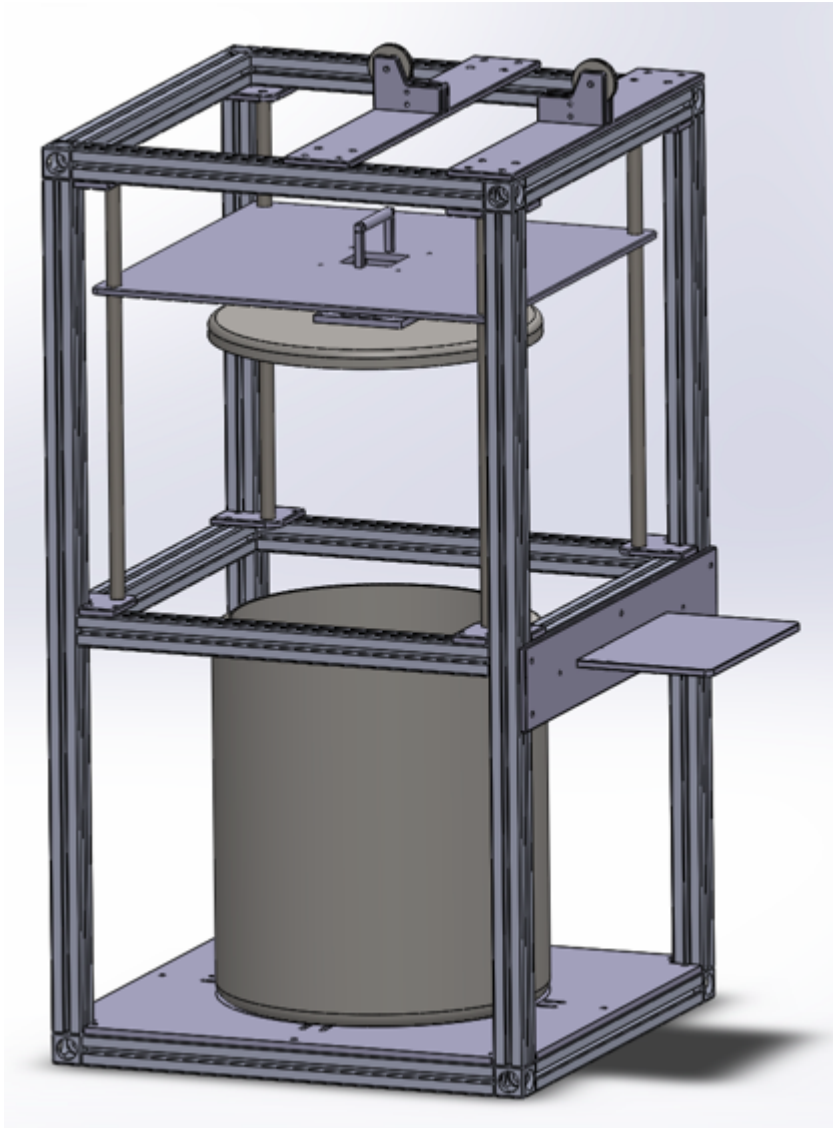


Dewar

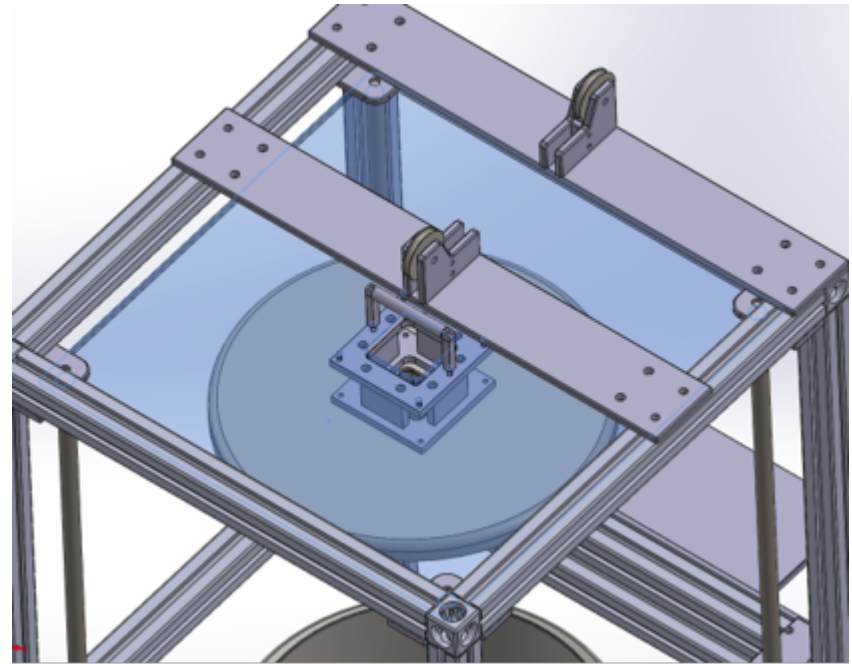
- 50-liter Dewar
- Stainless-steel cover: 1 inch thick with rubber sealing
- 2 feed-throughs D-sub 50
- Lifting mechanism
- Should fit 4 tiles



Lifting mechanism



Feedthrough



Missed bits

- Internal structure for vPDU handlers
- Fit 4 tile
- Laser for light source
- Organize for a clean room (clean tent with extraction?)

